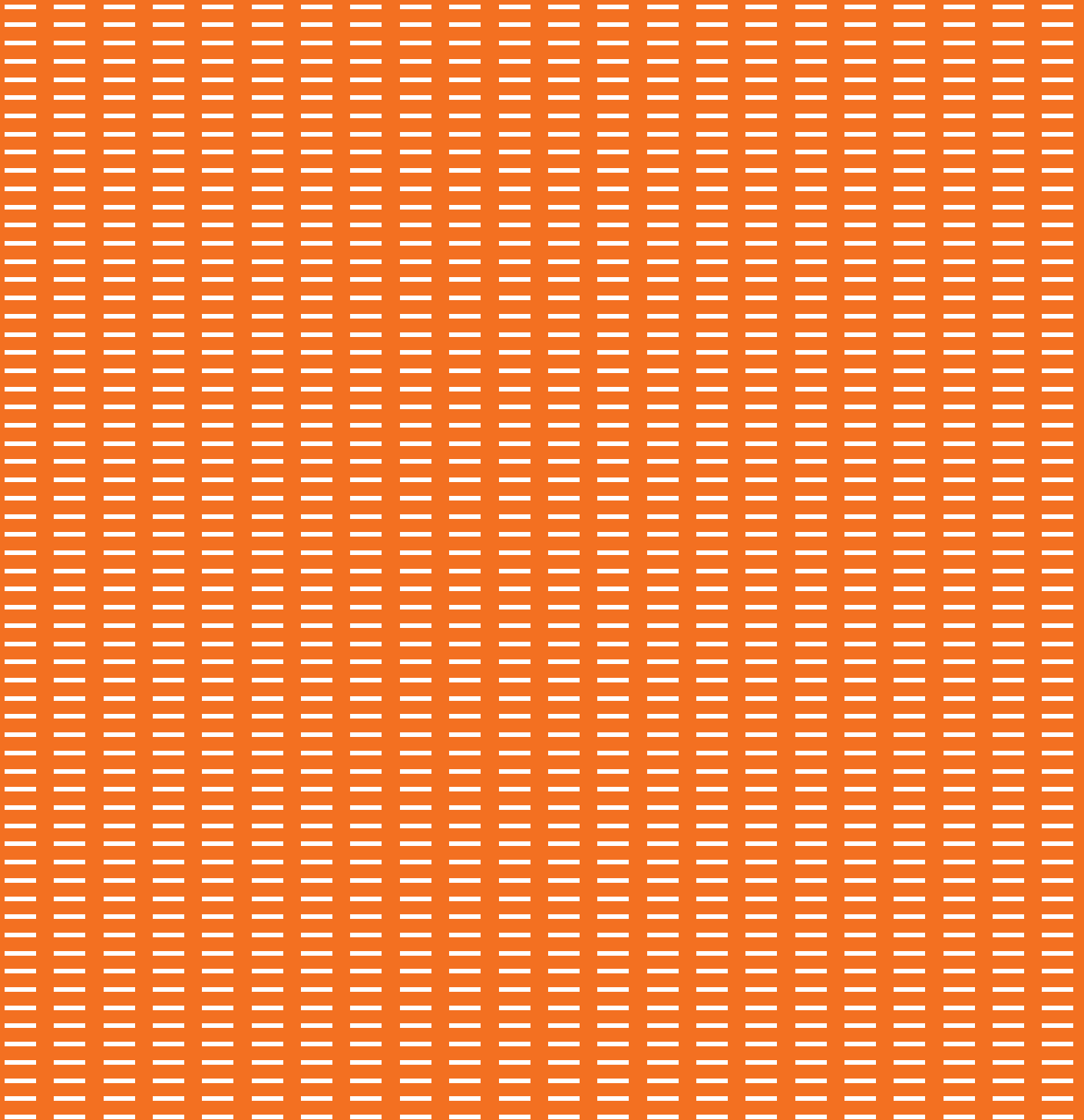


Quantum™



Put simply, Quantum seating maximizes capacity, delivers superior comfort and ensures long-term durability.

Quantum has been designed in consultation with leading ergonomists and is arguably the most comfortable seat available today.

The patented beam mount system that Quantum uses is a revolution. Seats are evenly spaced in every row, and can be easily added to, removed or re-spaced as events require.

Quantum's low maintenance requirements have helped make this seating system extremely popular with venue operators around the world.

Quantum is the seat of choice. You will find it in world class stadiums such as Seattle's Seahawks Stadium, Chicago's Soldier Field, Australia's Telstra Dome, Portugal's Benfica Stadium, and Centre Court at Wimbledon.

Quantum is available in three back heights and features Camatic Seating's silent gravity tilt seat, removable upholstery, optional arms and tablets.

Universal options

The following options are available on all Quantum chairs:

- Armrests – single (shared) or double
- ADA access armrests
- Row end panel armrests
- Cup holders

Mounting system

The Quantum beam mount system enables bracket positioning at infinite locations along a row, thereby eliminating any loss of seating numbers due to expansion joints, angle changes or step interference.

Seat configuration

Quantum seats are installed at uniform centres along a corrosion resistant aluminium beam with two vandal proof locking toggles.

Gravity tilt seats

The innovative gravity tilt seats, using fully enclosed counterweights, are silent, dependable and reliable. A ¾ pushback mechanism ensures easy access for patrons.

Removable upholstery

When fitted, seat and back pads are fixed in five locations. These can be removed by unlocking a single vandal-proof fixing.

Easy installation

Once the Quantum beam system is installed, seats are delivered fully assembled and can be positioned quickly and with ease.

Quantum Features

	770	850	960	Uno
Increased venue capacity – guaranteed	•	•	•	
Advanced ergonomic profile offers enduring comfort	•	•	•	•
Gravity tilt seat – silent and reliable, with zero maintenance	•	•	•	
All mechanisms fully enclosed ensuring safety	•	•	•	
Beam mounting provides for future upgrades and/or reconfiguration	•	•	•	
Tread, riser, removable and free standing mounting systems	•	•	•	
Fold down system for retractable platforms	•	•		
Stacking/linking – single, two seat and four seat modules				•
Upholstery pads options supplied initially or upgraded later	•	•	•	•
Quickly installed with beam and toggle locking system	•	•	•	
Certified to ASTM and En 12727 standards	•	•		

Upholstery Options

Bare plastic with textured seating surfaces (anti-static)	•	•		•
Seat only pad	•	•		•
Seat and backrest pads	•	•	•	•
Marine vinyl with closed cell foam for extreme outdoor exposure	•	•	•	•
Easily removable seat and backrest pads via a single vandal proof fixing	•	•	•	•

Options

Range of standard colours or custom colours available (minimum applies)	•	•	•	•
Seat numbers	•	•	•	
Seat numbering to outer backrest – assists ushers in finding locations	•	•		
Row identification	•	•	•	•
Aisle light	•	•	•	•
Cup holders	•	•	•	
Fixed armrests	•	•	•	
ADA retracting armrests	•	•	•	
Row end filigree armrests	•	•	•	
Interactive video armrest	•	•	•	
Writing/press tables – single action anti-panic deployment	•	•	•	
Writing/press tables – D2 (2 actions of deployment)	•	•	•	
Writing/press tables – power and data management	•	•	•	
Removable system – single and two seat units	•	•	•	•
Fold-down system – 1, 2, 3 and 4 seat units	•	•		

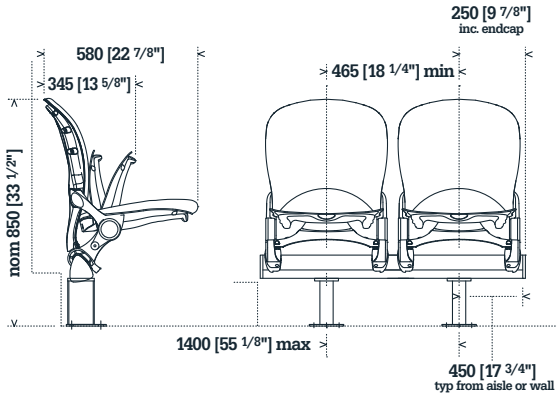
Quantum™

Quantum 850

Sporting arenas see a lot of action both on and off the field, which is why the Quantum 850 is such a popular choice with venue operators worldwide.

It provides maximum comfort, easy maintenance and like the entire Quantum range it will increase the patron capacity of any venue.

Row end panels can be customized with a team or venue insignia so any arena can put its own stamp on this popular seating system.

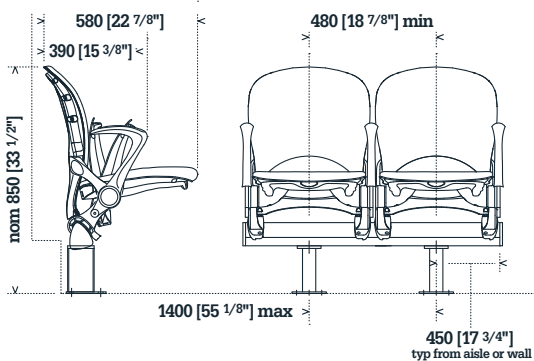


Quantum 770/850 Upholstered

The Quantum 770/850 Upholstered range provides a more refined seating solution for arenas, stadiums, auditoriums and lecture theatres.

With cushioned, tamper resistant upholstery and a robust ergonomic design, Quantum Upholstered offers a superior level of comfort and style.

Venue operators will appreciate low maintenance design elements and the flexibility of configuration options, with single or double armrests and writing tablet arms also available. Meanwhile spectators will appreciate a truly sophisticated and comfortable seat.

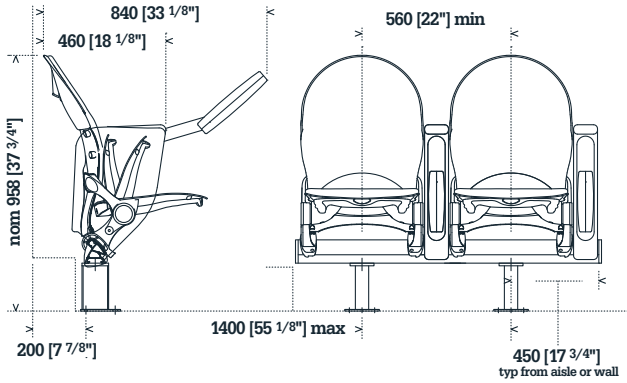


Quantum 960 IM

Quantum Interactive leads the way in bringing in-house media to the spectator's fingertips. In the case of the Docklands 55,000 seat stadium in Melbourne, Australia, game statistics, instant replays, food and drinks or merchandise can be available at the touch of a button.

This revolutionary armrest combines ground-breaking technology with cutting edge ergonomic design. The interactive media units are designed to accommodate future hardware and software upgrades which can be retrofitted to any Quantum seating system.

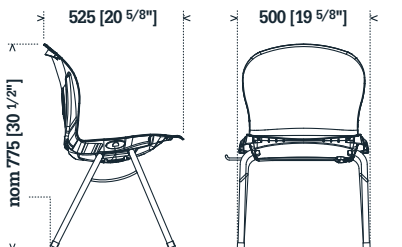
There are no limits to what can be achieved with Quantum Interactive and a venue operator's imagination.



Uno

Uno is a bucket shell version of the Quantum tilt seating range. It enables a unified seating theme to be extended into multi-use and banquet areas, while offering the same comfort and ergonomic qualities.

Seat and back pads are interchangeable between the Quantum tilt seat and Uno versions. Uno is available as a single seat, a two seat multiple or a four seat multiple, with all options featuring a pull-out linking device to ensure perfect row alignment.



Australia

Head Office & Manufacturing
Camatic Pty Ltd
93 Lewis Road
Wantirna South
Victoria 3152 Australia
Telephone: 61 3 9837 7777
Facsimile: 61 3 9837 7700
Email: sales@camatic.com
www.camatic.com

USA

Camatic Seating Inc
1010 West Eulesse Blvd
Suite 110, Eulesse
TX 76040 USA
Telephone: 1 682 503 5317
Facsimile: 1 817 633 2190

CAMATIC

Representation

Australasia
South East Asia
North America
Europe
Middle East
CIS